

VT231-A222-A Series

2.0 Megapixel Starlight WDR Intelligent IR IP Dome Camera

Infinova[®]
The Integrator's Manufacturer



- Inbuilt 22X HD integrated camera module
- 1/1.9" large area progressive scanning CMOS sensor
- ICR infrared filter type automatic switch to realize true day/night surveillance
- Starlight - level ultra - low illumination: 0.0001 lux
- Supports multi - frame composite pattern wide dynamic and the maximum dynamic range is 120dB
- Inbuilt efficient infrared lamps, wave length 850nm, ensure stable long - term use and reduce maintenance cost
- Night vision distance up to 150m
- The ways of turning on the infrared lamps can be flexible to meet diversified surveillance environment demands
- The infrared power is adjusted automatically based on dome drive zooming or manually to optimize the night vision fill - in light effects
- HD network video output: 1920×1080@30fps
- Features smart functions to achieve border protection (wire cross, intrusion)
- H.265+M-JPEG or H.264+M-JPEG video encoding, three streams
- Supports embedded storage/NAS storage
- Supports alarm recording and alarm snapshots
- Bi - directional audio, G.711-A/G.711-U/AAC standard optional
- Two alarm inputs and one alarm output
- Supports motion detection, 4 detecting areas dividable
- Supports multiple alarm-triggered ways, such as IO input, network disconnected, motion detection, smart detection, heartbeat loss, etc.;
- supports flexible alarm associated configurations, such as I/O output, email, FTP picture-uploading, audio and TF card recording
- Supports Local Recording
- Supports Region of Interest (ROI), 8 regions dividable
- Allows multiple users to perform live access and parameters settings via Web Server
- Supports preset, autopan, pattern, autoscan, time tour, normal tour, power - on return, etc.
- Compatible with Infinova digital video surveillance software and convenient to integrate with other video surveillance software
- Supports ONVIF Profile S & G standards
- Standard SDK, easy to integrate with other digital system
- Supports RS485 control and analog video output for easy debugging

- Outdoor type reaches IP66 protection rate, inbuilt a heater and air circulation system to avoid icing
- Supports remote network upgrade

VT231-A222-A series is our newly introduced high definition infrared network dome camera that supports 1920×1080@60fps HD network video output. It adopts H.265/H.264/M - JPEG encoding and its output provides excellent definition and color revivification degree which enables the acquisition of rich and accurate details so as to effectively guarantee smart analysis accuracy.

This product adopts large power LED infrared lamps, infrared wave length 850nm, long night vision distance up to 150m, strong illumination. The IR lamps can turn on or off automatically based on environmental lighting conditions or can be adjusted manually. The IR illumination allows flexible adjustment so as to reduce IR lamp calorific value and extend its service life.

User - friendly GUI interface design allows users to perform dome PTZ control easily via network and to configure detailed camera parameters settings. At Web interface users can perform dome camera settings and operations by using a mouse which is more convenient than the traditional keyboard control. It also supports area zoom and image PTZ function.

VT231-A222-A series dome cameras also feature general dome functions such as preset, pattern, autopan, autoscan, time tour and normal tour.

Technical specifications

Lens		Autopan	
Optical Zoom	22X		12
Image Sensor	1/1.9" Sony progressive scanning CMOS sensor	Normal Tour	16 groups (each tour can link to 14 acts for which you can select among Presets 1~32, Patterns 1~4 and Autopans 1~4)
Aperture/Focal Length	F1.5~F3.4, f=5.11~112.42mm	Home Return	Available
Angle of View	70° (Wide) ~ 3.76° (Tele)	Timing Tour	Available
Min. Work Distance	0.3m (Wide) ~ 1.9m (Tele)	Autoscan	Available
Shutter	Auto, Manual (PAL: 1/25-1/32000; NTSC: 1/30-1/32000s)	Motion Detection	4 areas
DSS	Available	Area Zoom	Available
Day/Night Switch	ICR- Automatic removable IR cut filter	System Functions	
Sensitivity	Color mode: 0.001 lux @ F1.5 (AGC ON); B/W mode: 0.0001 lux @ F1.5 (AGC ON) 0 lux (IR ON)	Operating System	Supports Windows XP, Windows Vista, Win7, or Win8 operating system
Video		Browser	IE7, IE8, IE9, IE10, IE11
Compression	H.265 /H.264 switchable M-JPEG independent encoding	Access Protocol	ONVIF2.4, CGI
Encoding Capability	1080P@30fps+720P@30fps+MJPEG1080P@5fps	Web Server	Available
Audio		Remote Network Upgrade	Available
Compression	G.711-A/G.711-U/AAC	Security	Password Protection
Sampling rate	8KHz (for G.711-A/G.711-U) 16KHz, 32KHz, 44KHz or 48KHz (for AAC)	RS485 Port	Supports 1*RS485
Port	1 input, linear level, impedance: 1kΩ 1 output, linear level, impedance: 600Ω	Analog Video Output	Supports 1*BNC port
Camera		IP	
White Balance	Auto/Manual/Outdoor	Port	1*RJ45 10/100M self-adaptive Ethernet port
WDR	Supports multi-frame composite pattern wide dynamic with a range up to 120dB	Protocol	IPv6, TCP, UDP, IGMP, DHCP, FTP, SNMP (V3), SMTP, NTP, RTP, RTSP, RTCP, HTTP, HTTPS, TSL, SSL, QoS, PPPoE, DNS, DDNS, ARP, ICMP, UPnP
Video Adjustment	Brightness, contrast, saturation, chroma, sharpness, BLC, Exposure Control, AGC, White Balance, Hue, HLC	Mechanical	
S/N Ratio	> 55dB	Manual Horizontal Speed	0.1° ~ 180°/s
Noise Reduction	3D	Manual Vertical Speed	0.1° ~ 140°/s
Defog	Available	Preset Speed	Up to 245°/s
Stabilization	Available	Horizontal Scan Angle	360° continuous scanning
Mirror	Horizontal, vertical	Vertical Scan Angle	-4° ~ 90°
Backlight Compensation	Available	Preset Accuracy	<0.1°
Light Restrain	Available	Electric Motor	Stepping motor
Privacy Mask	Up to 4 privacy areas	Electrical	
ROI	Up to 8 regions	Power Supply	24VAC/24VDC self-adaptive <17W (idle state)
Smart Video Analysis	Wire cross, area intrusion	Power	<63W (max., heater on, IR lamp manually adjusted to maximum)
Timing Function	Timing snapshot, timing recording	Reliability	
Storage		Anti-Static	±8KV
Inbuilt	Supports dual Micro SD/SDHC/SDXC card slot (max 256GB); able to store snapshots and recordings (supports alarm recording/snapshot)	Surge Protection	±4KV
Alarm		Environmental	
Port	2 alarm inputs, 1 switching value output	Operating Temperature	-40°F ~ +140°F (-40°C ~ +60°C)
Input	I/O input, network disconnecting, motion detection, video tampering, smart alarm, storage card out, heartbeat loss	Operating Humidity	0 ~ 90%RH (non-condensing)
Link	I/O output, email, FTP picture uploading, audio, TF card recording	Mounting	Wall, pole and corner mount
IR Lamp		Physical	
Wave Length	850nm	Product Dimension (H x D)	H14.56" x Φ9.04" (H370mm x Φ229.6mm)
Night Vision Distance	150m	Package Dimension (L x W x H)	19.09"×11.02"×11.81" (485mm×280mm×300mm)
Pan/Tilt Functions		Product Net Weight	12.79 lbs (5.8kg)
Presets	1024	Shipping Weight	16.76 lbs (7.6kg)
Pattern	12	Certifications and Approval	
		Product Certifications	CE ¹ , FCC ² , IP66 ³ , IK10 ⁴ , UL ⁵ , ONVIF Profile S & G
		Certificate No.: ¹ RSZ151218006-01; ² RSZ151218006-00; ³ TRS16060020;	
		⁴ EM160622016RE001; ⁵ E232008	

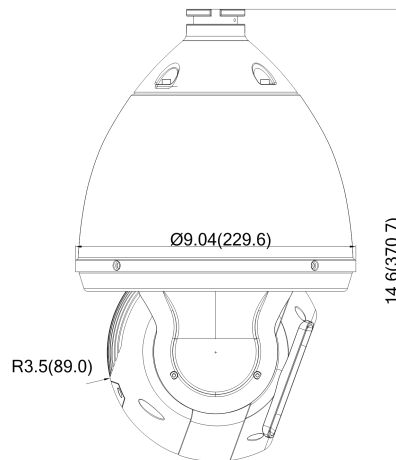
Ordering information

VT231-A222-A361 HD IR IP dome cameras, 2.0M, 22X, 1/1.9" CMOS, day/night, H.265/H.264/MJPEG, with audio alarm, outdoor, bracket mount, 24VDC/24VAC

Accessories

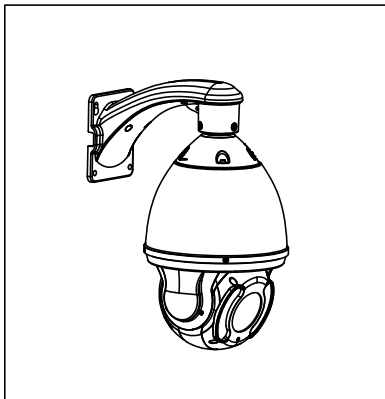
V1761K Wall Mount, bayonet, 10 inches
V1762K Corner Mount, bayonet, 10 inches
V1763K Pole-side Mount, bayonet, 10 inches

Dimensions

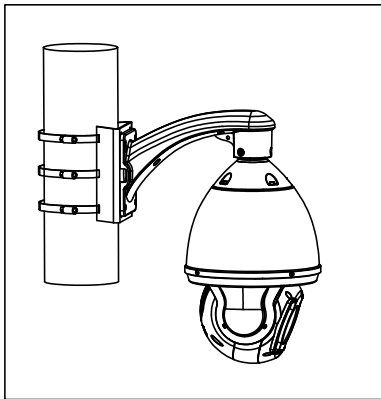


(Unit: inch, in the parentheses is mm)

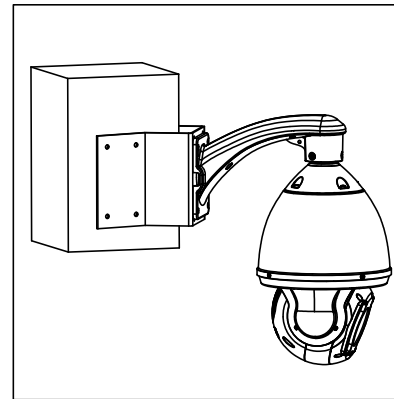
Mounting



Wall Mounting



Pole Mounting



Corner Mounting